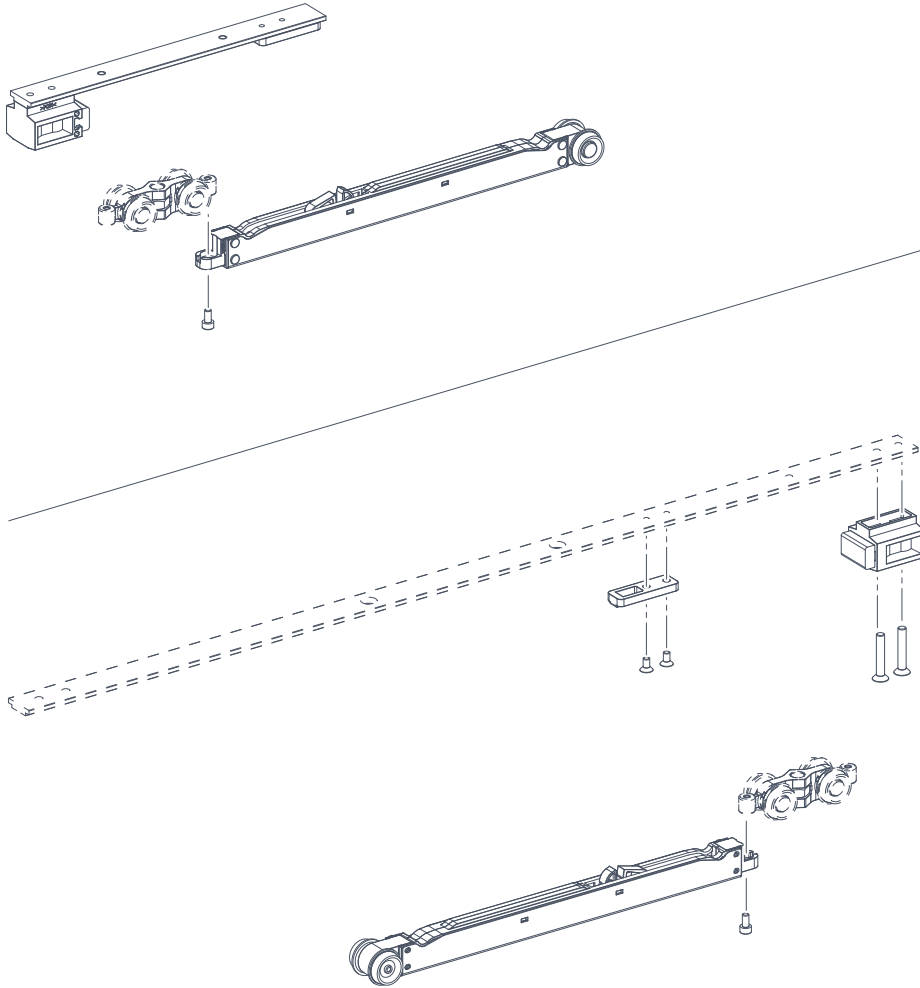


WINGBURG



Assembly instructions

Run-in damping
CAVIS & BELPORT

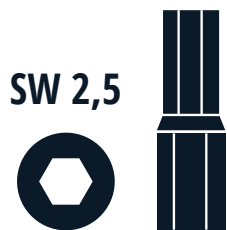
CONTENTS | RUN-IN DAMPING

Safety instructions	3
Required tools	3
Scope of delivery	4
Removing a rail	6
Stop side assembly	7
Pocket side assembly	8 - 9
Installing a rail	9
Adjusting a stop	10

Safety instructions

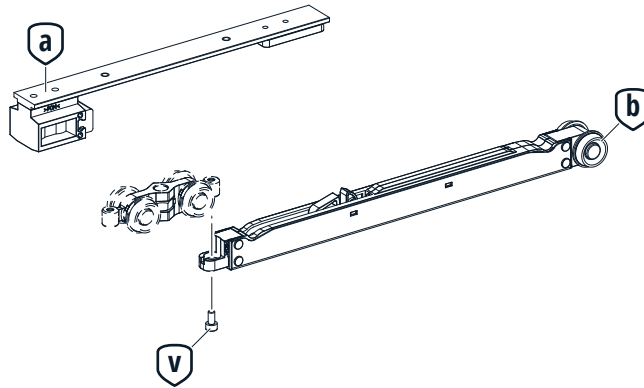
Before installation, please read the instructions carefully. If you have difficulties in understanding the instructions please contact your customer service or your supplier. To assemble the product correctly, please use the tools as indicated on the following page. As some edges may be sharp we recommend you to wear gloves to protect your hands and cover all working surfaces to prevent them from being damaged. Use the correct lifting and carrying techniques during installation. All items have been checked prior to delivery by "Wingburg". "Wingburg" does not accept any liability for damage that occurs during installation or transportation.

Required tools

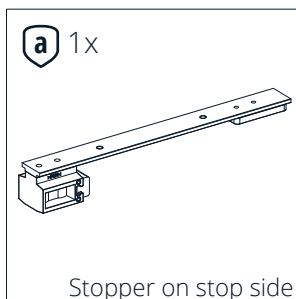


SCOPE OF DELIVERY | RUN-IN DAMPING

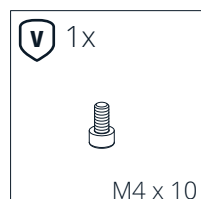
Overview of components, **SINGLE side**



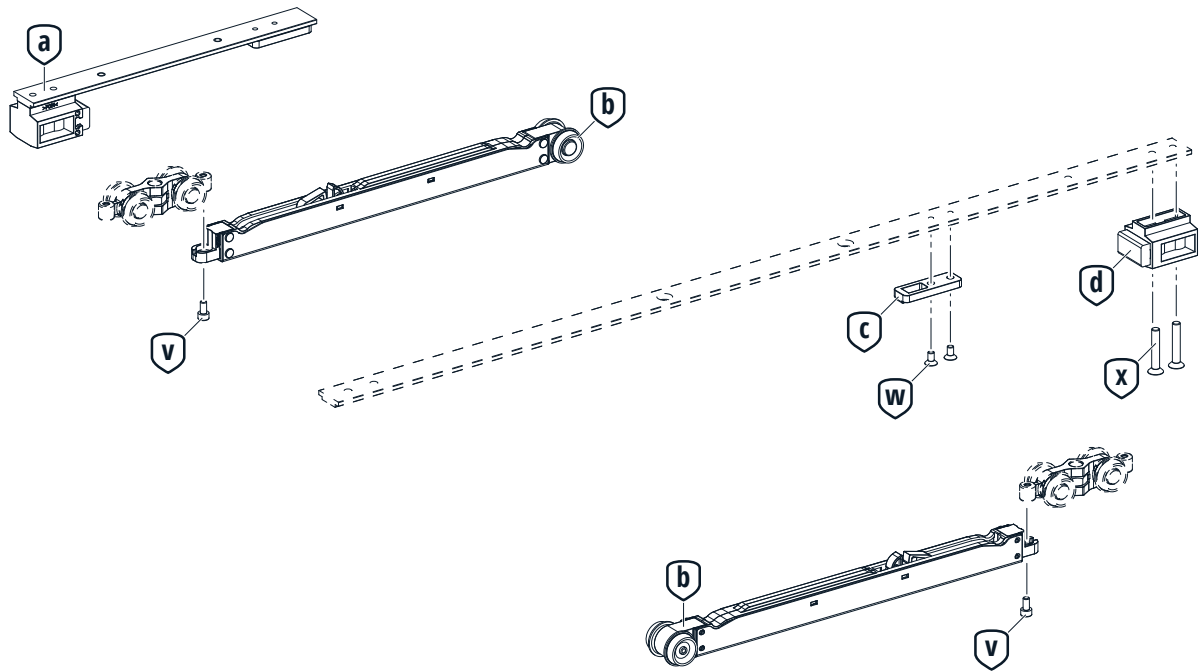
Components



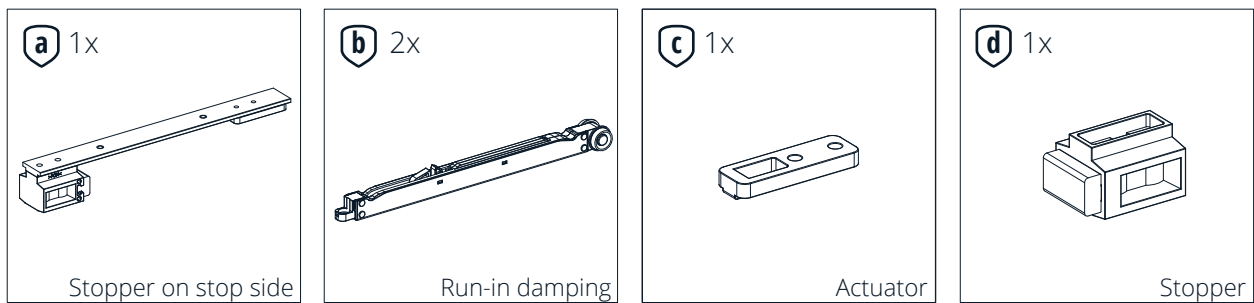
Standard parts



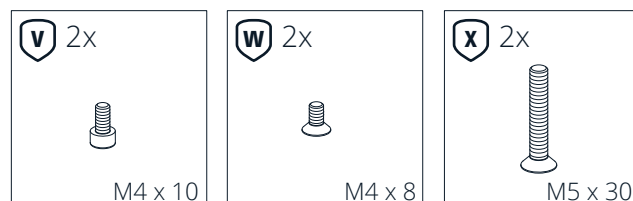
Overview of components, **double-sided**



Components

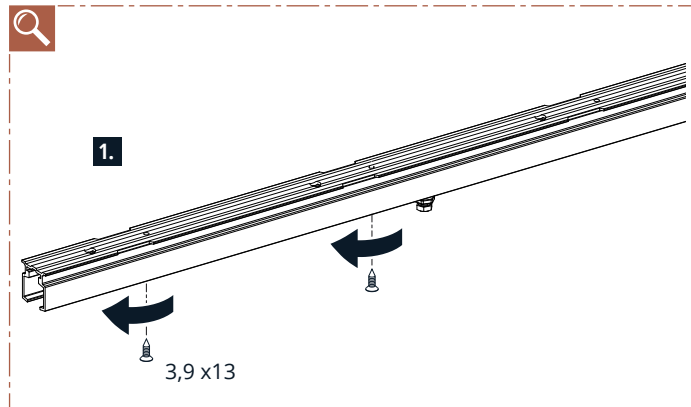
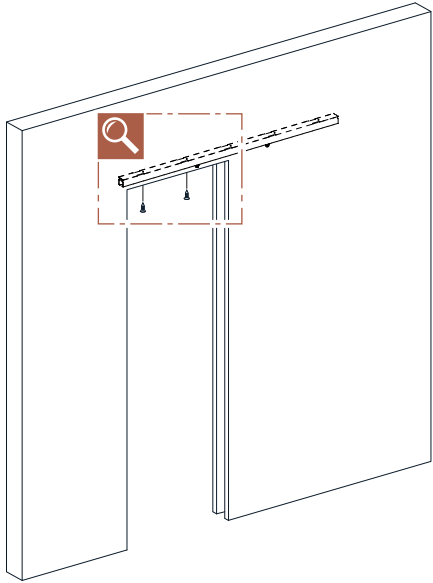


Standard parts

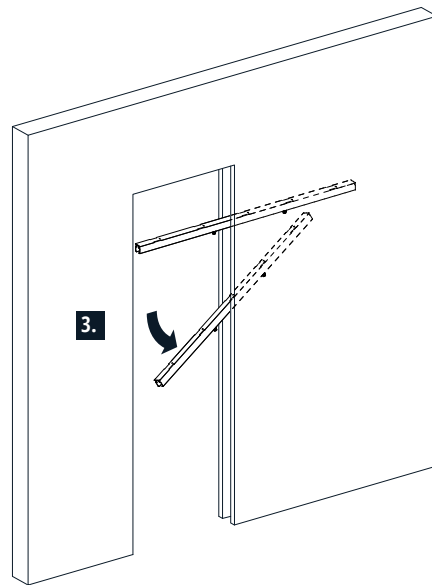
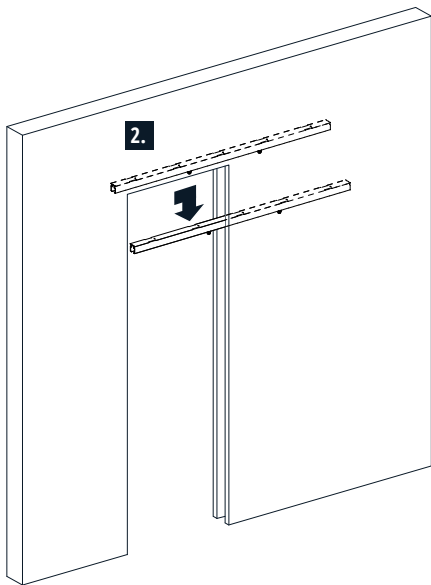


ASSEMBLY | RUN-IN DAMPING

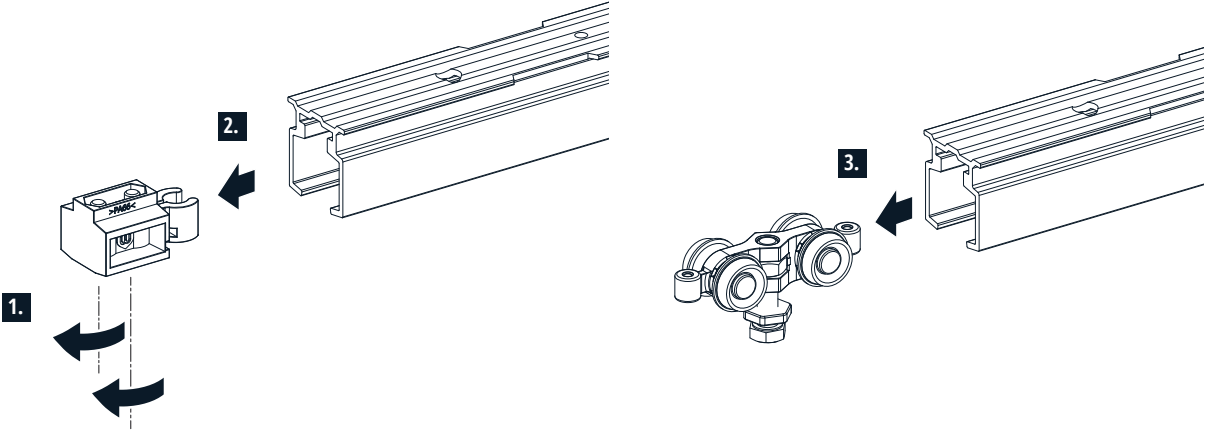
1.



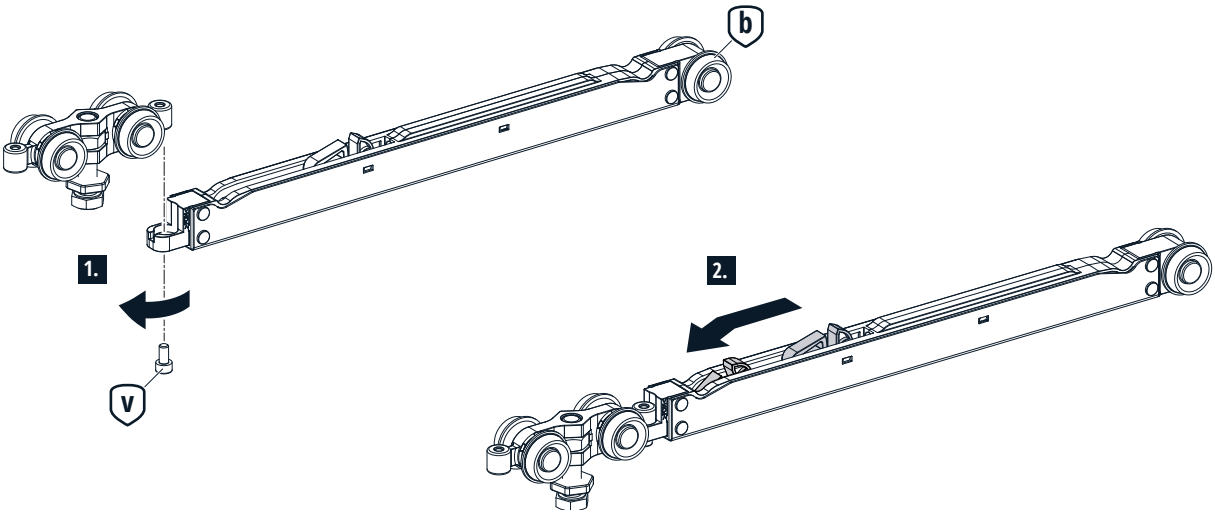
i Keep screws safe and reuse later!



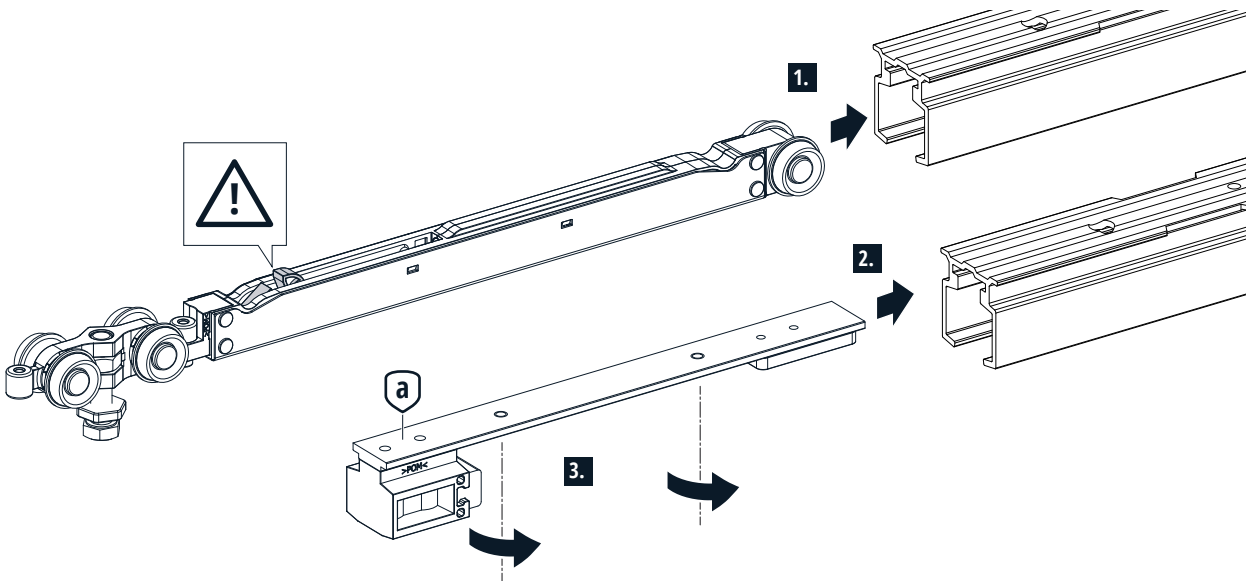
2.



3.

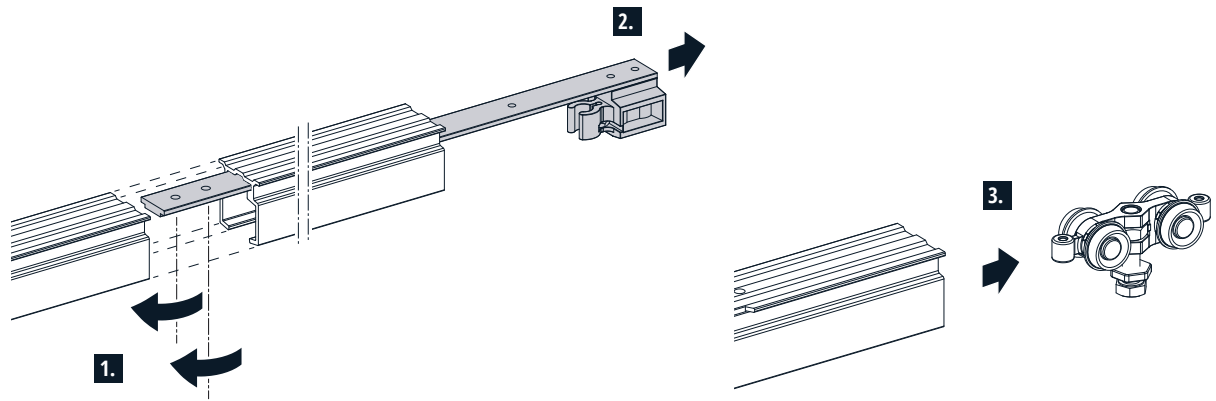


4.

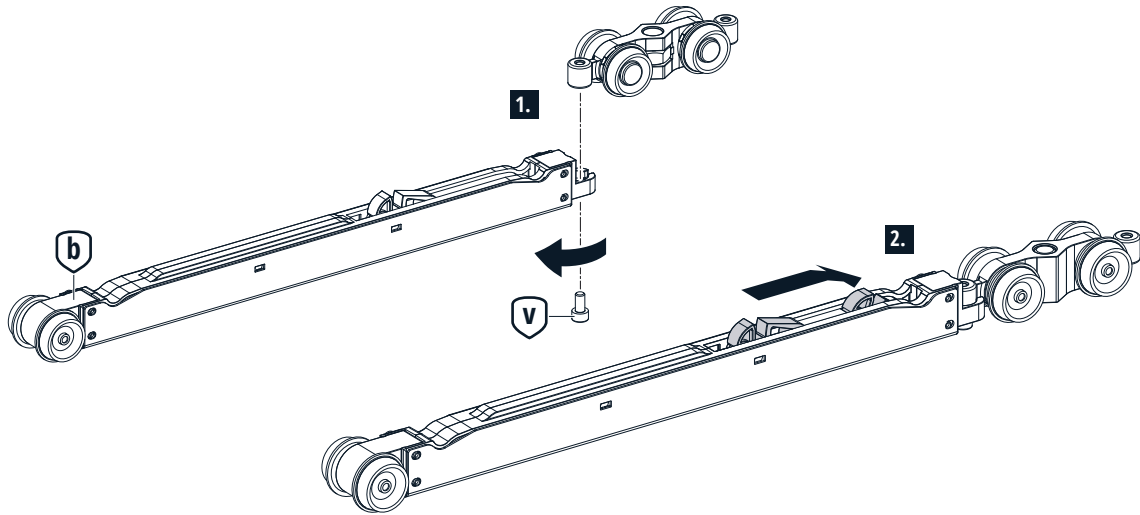


ASSEMBLY | RUN-IN DAMPING

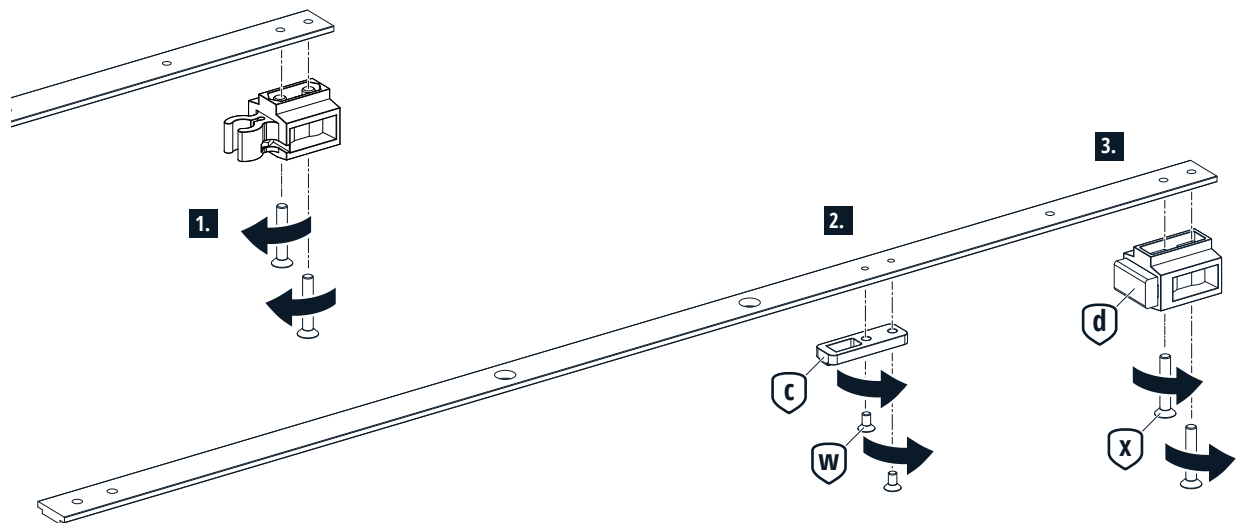
5.



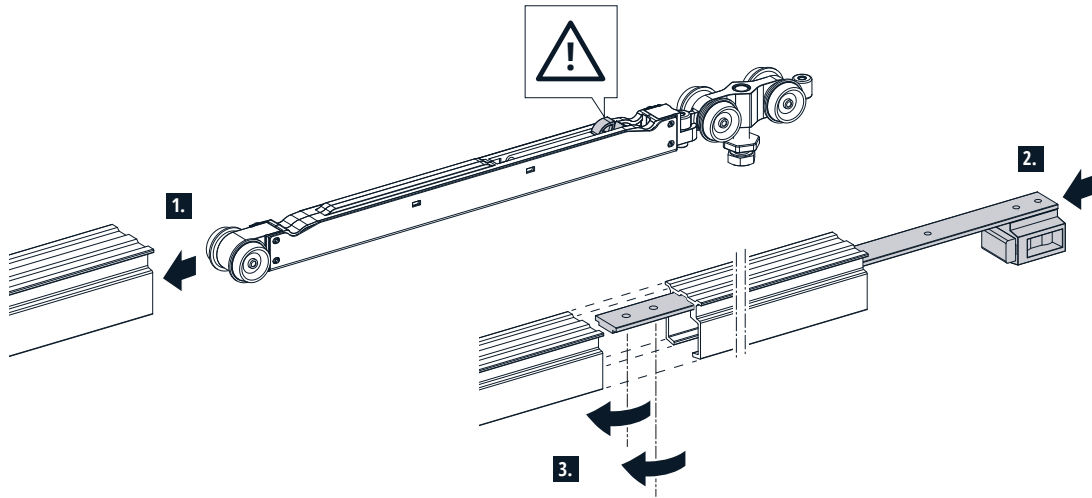
6.



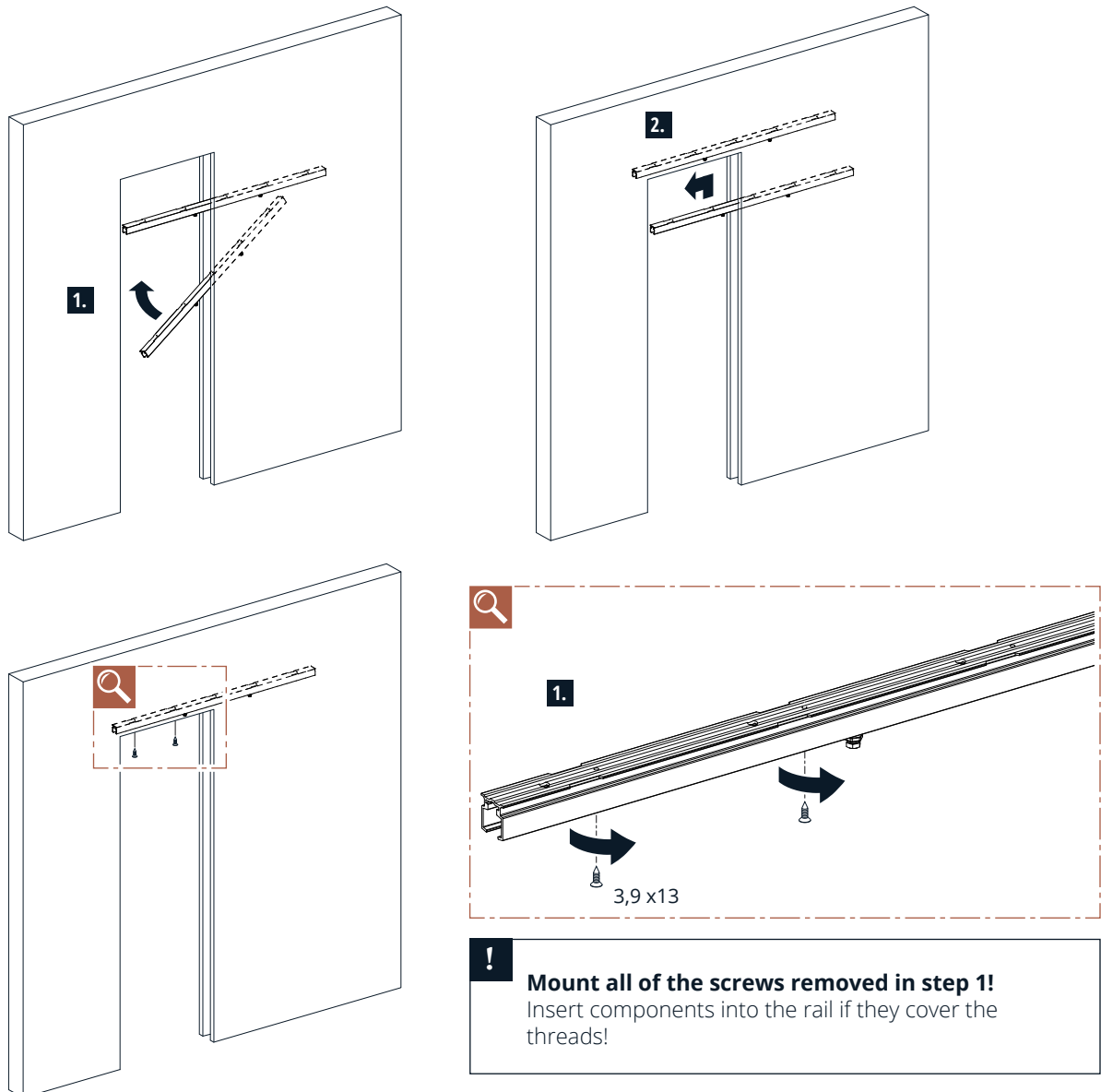
7.



8.

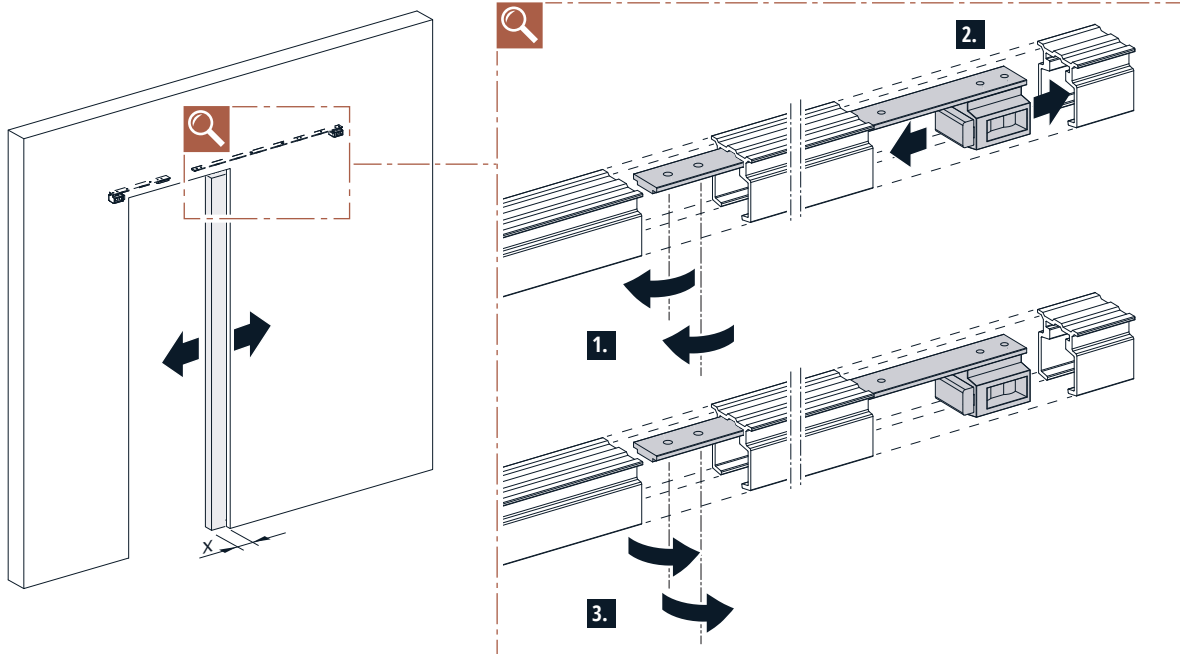


9.



ASSEMBLY | RUN-IN DAMPING

10.





WINGBURG

 **+49.5257.94792-0**
 **info@wingburg.de**
 **www.wingburg.de**